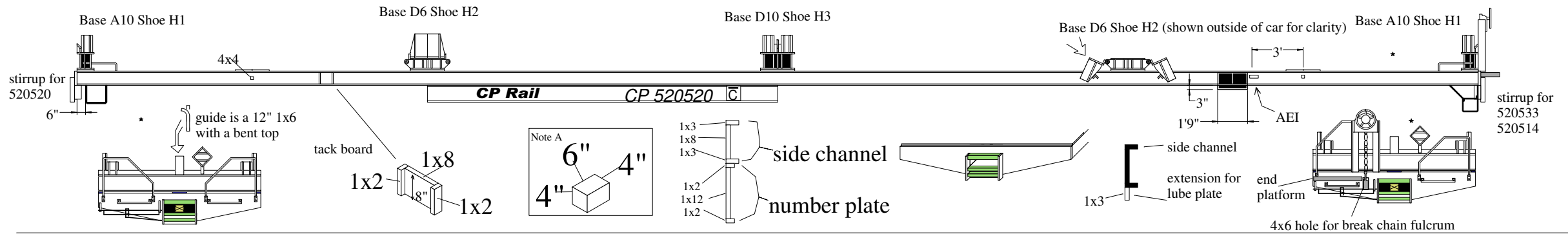
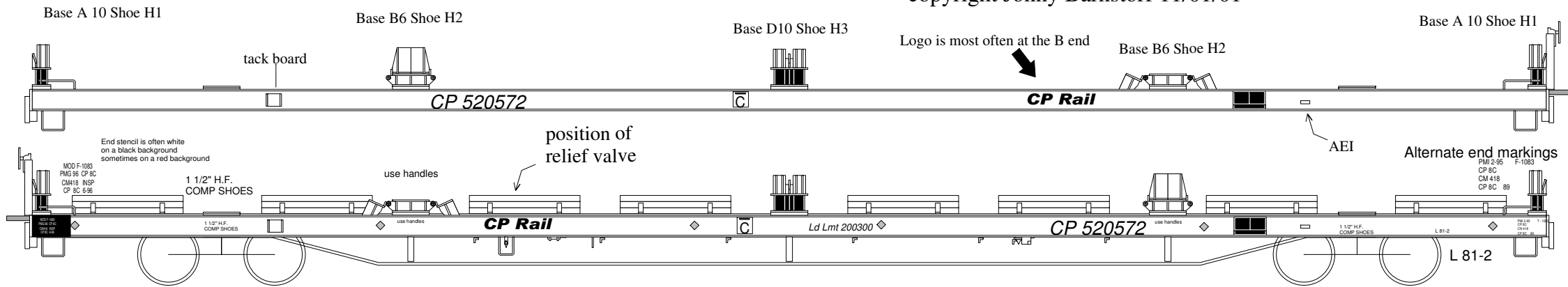


A

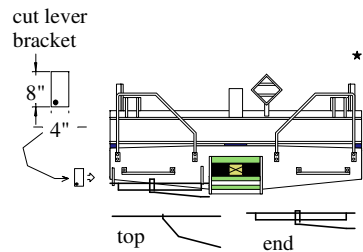


copyright Jonny Barnstorf 11/01/01



B

Top view identical to type (except for relief valve position)



with type B end :
520575 520570 520572 520595

with type C end (* assumed) (see type C)
520835 520839* 520901* 520756*

